

KIYOI

USE & CARE INSTRUCTIONS



Air Purifier KI-AP1060

With Pre-filter, HEPA, Activated Carbon, UVC

For more information on use and service of KIYOI air purifier visit
www.kiyoair.com

READ AND SAVE THESE INSTRUCTIONS WARNINGS

Failure to comply with the warnings listed below may result in electric shock or serious injury.



This product should be used only in accordance with the specifications outlined in this manual. Usage other than what has been specified here may result in serious injury.

When using electrical appliances, basic precautions should always be followed to reduce the risk of fire, electric shock and injury to persons, including the following:

- Read all instructions before using appliance.
- **IMPORTANT** - If the plug does not fit fully in the outlet, contact a qualified electrician.
- To avoid fire or shock hazard, plug the appliance directly into a proper AC electrical outlet.
- Keep the cord out of heavy traffic areas. To avoid fire hazard, NEVER put the cord under rugs, near heat registers, radiator, stoves or heaters.
- To protect against electrical hazards, DO NOT immerse in water or other liquids. Do not use near water.
- Children cannot recognize the hazards associated with the usage of electrical appliances. For this reason, always supervise children when they are near the unit.
- Always unplug the air purifier before moving it, opening the grill, changing filters, cleaning or whenever the air purifier is not in use. Be sure to pull by the plug and not the cord.
- NEVER drop or insert any object into any openings.
- DO NOT run cord under carpeting.
- DO NOT cover cord with throw rugs, runners, or similar coverings.
- DO NOT route cord under furniture or appliances. Arrange cord away from traffic area and where it will not be tripped over.
- DO NOT operate any appliance with a damaged cord or plug. If motor fan fails to rotate, after the appliance malfunctions, or if it has been dropped or damaged in any manner contact Customer Service for assistance.

- Use appliance only for intended household use as described in this manual. Any other use not recommended by the manufacturer may cause fire, electric shock or injury to persons.
- DO NOT use outdoors.
- DO NOT place anything on top of unit.
- NEVER block the air openings, grills/outlets or place on a soft surface such as a bed or sofa, as this could cause the unit to tip over, blocking the air intake or outtake opening.
- DO NOT attempt to repair or adjust any electrical or mechanical functions on this unit. Doing so will void your warranty. The inside of the unit contains no user serviceable parts. All servicing should be performed by qualified personnel only.
- WARNING: To reduce the risk of fire or electric shock, do not use this fan with any solid-state speed control device.

TECHNICAL SPECIFICATIONS

Rated Voltage: AC 220V, 50Hz

Rated Power: 60W

Noise Level: 30dB(L), 40dB(M), 50dB(H)

UV Light: Wavelength: 254nanometers

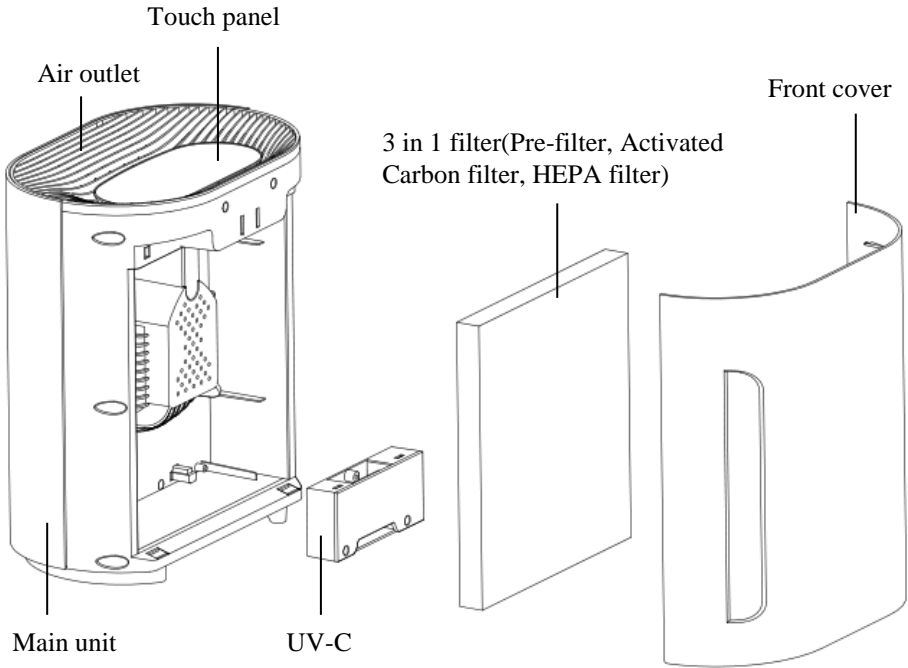
Lamp life: Approx. 20,000 hours

Weight: 3.5 kgs

Dimensions: 275 (L) x 175(W) x 308(H) mm

Coverage Area: Approx. 15 m²

PRODUCT STRUCTURE



AIR CLEANING SYSTEM

PRE-FILTER: Captures initial dust and allergen particles.

ACTIVATED CARBON: Absorb formaldehyde, benzene and other noxious gas.

HEPA: Captures dust, smoke, pollen and other allergens.

UV-C LIGHT: Destroys micro-organisms such as germs, viruses, bacteria and fungi (such as mold toxins).

OPERATING INSTRUCTIONS

BEFORE OPERATING THE AIR PURIFIER:

1. Carefully remove your air purifier from box and plastic bag.
2. Select a firm, level and flat location for the air purifier.

*For proper air flow, locate the unit at least 1 foot from any wall or furniture.

*Make sure none of the grills are blocked.

3. Before using, remove the filters then remove and discard bags.
4. Plug the power cord into a right voltage AC outlet.

IMPORTANT: When moving the air purifier, always lift unit by the carrying handle located on back.

OPERATING THE AIR PURIFIER



1. “POWER” BUTTON:

Press this button to turn on or switch off the unit.

Note: Press and hold POWER Button for 5 seconds to reset Filter Replace Indicator.



2. “SPEED” BUTTON:

The fan speed of the unit can be adjusted when the unit is in operation (L/I M/II H/III). Each time that you press on the (SPEED) button, the speed is adjusted from L (low) to M (medium) to H (high).



4. “UV-C/SLEEP” BUTTON:

1. First press this button to turn on the UV lamp.
2. Second press to turn on UV-C lamp and Sleep mode.
3. Third press to turn off UV-C lamp.
4. Forth press to turn off UV-C lamp and Sleep mode



5. “TIMER” BUTTON:

- 1) By pressing this button, the purifier can be timed to operate for intervals of 2 hours, 4 hours and 8 hours, stopping automatically when the selected operating time has elapsed.
- 2) Press this button (Timer) to select the required operating time. A warning light automatically indicates the remaining operating time.
- 3) To select the continuous operating mode, press the button repeatedly until there are no more indicator lights lit up.

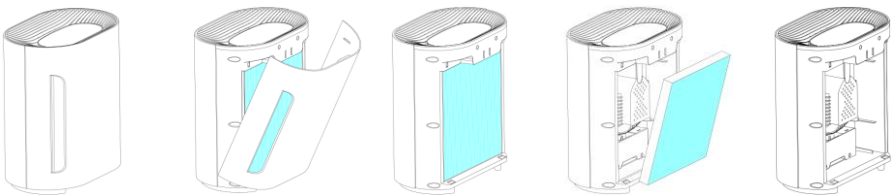
Important note: When the unit is not in use, switch it off and unplug it.

INSTALLING & REMOVING FILTERS

FILTER REPLACE INDICATOR

The FILTER RESET light flickering continuously indicates that it is time to replace the filter. Replace the filter according to the directions then press the POWER button and hold for 5 seconds to restart the system. The light will stop flickering.

*Combination Filter will last approximately 6 months.



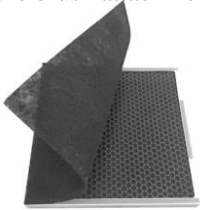
1. Open the front cover from the top.
2. Remove the combination filter by pull the two strips.
3. Insert new Combination Filter into the unit. Consult the strips on the filter for correct installation direction.
4. Reattach the extra Pre-filter to the Combination Filter.
5. Reattach the front cover of the unit and securely latch into place.
6. Press and hold POWER Button for 5 seconds to reset Filter Change Indicator.

CLEANING & MAINTAINING THE COMBINATION FILTER

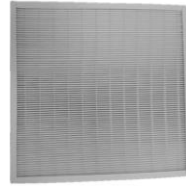
The air purifier should be cleaned at least once every three months and the Pre-Filter should be cleaned every month. More frequent cleaning may be required depending on environmental conditions.

FILTERS

Clean with the brush attachment of your vacuum cleaner. This will remove lint and dirt.



Front (Pre-filter & Carbon filter)



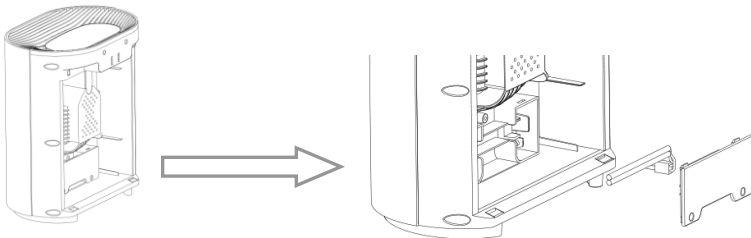
Back (HEPA filter)

NOTE:

-Only the **Extra Pre-filter** is washable. And make sure the pre-filter is dry when fix back the pre-filter to the combination filter.

UV LAMP REPLACEMENT

1. Open the UV lamp cover by a screw driver.
2. Take off the UV lamp from the holder carefully and unplug the connector.
3. Connect the new UV lamp to the connector and fix back the lamp to the holder carefully.
4. Screw lamp cover tightly back.



WARNING: Skin or eye damage may result from directly viewing the light produced by the lamp in this apparatus. Always disconnect power before relamping or servicing. Replace Lamp with Lamp Model No. ZL05100W-U Manufactured by CNLIGHT CO., LTD.

MAINTENANCE CAUTION

Use a clean, dry, soft cloth to wipe the external surface of the unit.

NOTE: Do NOT stick any foreign objects or your fingers inside of the unit.

CAUTION: Do NOT use gasoline, benzene, thinner, harsh cleaners, etc. on and/or in the unit while cleaning as they will damage the product.

NEVER use alcohol or other solvents.

MINI TROUBLESHOOTING GUIDE

Before carrying out any of the following service checks, unplug the unit from the mains.

Insufficient air flow	Check that the filters are clean Check for any obstructions in the air inlet and outlet
Unit will not start	Check the power supply and electric fuses. Check that the Front Cover is latched firmly in place. Check that the Filter is firmly in place.
Excessive noise	Check for any foreign objects in contact with the fan. The filter may be clogged and ready for replacement. The foam sealing gaskets have been installed incorrectly. Uneven positioning.

Warranty: 1 year from the date of purchase

To activate warranty coverage and get access to special promotions, please enter your information into the online product registration system: www.kiyoair.com/register

KIYOI Air Purifiers
Exclusive Distributor:

La Nature Co., Ltd.
235 Lasalle Road, Bangna,
Bangna, Bangkok 10260 Thailand