

# KIYOI

## USE & CARE INSTRUCTIONS



### **Air Purifier KI-AP1125**

With HEPA, Activated Carbon, UVC, PCO

For more information on use and service of KIYOI air purifier visit

[www.kiyoair.com](http://www.kiyoair.com)

# **READ AND SAVE THESE INSTRUCTIONS WARNINGS**

**Failure to comply with the warnings listed below may  
result in electric shock or serious injury.**



This product should be used only in accordance with the specifications outlined in this manual. Usage other than what has been specified here may result in serious injury.

When using electrical appliances, basic precautions should always be followed to reduce the risk of fire, electric shock and injury to persons, including the following:

- Read all instructions before using appliance.
- **IMPORTANT** - If the plug does not fit fully in the outlet, contact a qualified electrician.
- To avoid fire or shock hazard, plug the appliance directly into a right AC electrical outlet.
- Keep the cord out of heavy traffic areas. To avoid fire hazard, NEVER put the cord under rugs, near heat registers, radiator, stoves or heaters.
- To protect against electrical hazards, DO NOT immerse in water or other liquids. Do not use near water.
- Children cannot recognize the hazards associated with the usage of electrical appliances. For this reason, always supervise children when they are near the unit.
- Always unplug the air purifier before moving it, opening the grill, changing filters, cleaning or whenever the air purifier is not in use. Be sure to pull by the plug and not the cord.
- NEVER drop or insert any object into any openings.
- DO NOT run cord under carpeting.
- DO NOT cover cord with throw rugs, runners, or similar coverings.
- DO NOT route cord under furniture or appliances. Arrange cord away from traffic area and where it will not be tripped over.
- DO NOT operate any appliance with a damaged cord or plug. If motor fan fails to rotate, after the appliance malfunctions, or if it has been dropped or damaged in any manner contact Customer Service for assistance.

- Use appliance only for intended household use as described in this manual. Any other use not recommended by the manufacturer may cause fire, electric shock or injury to persons.
- DO NOT use outdoors.
- DO NOT place anything on top of unit.
- NEVER block the air openings, grills/outlets or place on a soft surface such as a bed or sofa, as this could cause the unit to tip over, blocking the air intake or outtake opening.
- DO NOT attempt to repair or adjust any electrical or mechanical functions on this unit. Doing so will void your warranty. The inside of the unit contains no user serviceable parts. All servicing should be performed by qualified personnel only.
- WARNING: To reduce the risk of fire or electric shock, do not use this fan with any solid-state speed control device.

## TECHNICAL SPECIFICATIONS

Rated Voltage: AC 220V, 50Hz

Rated Power: 55W

Noise Level: 30dB(L), 40dB(M), 50dB(H)

UV Light: Wavelength: 254nanometers

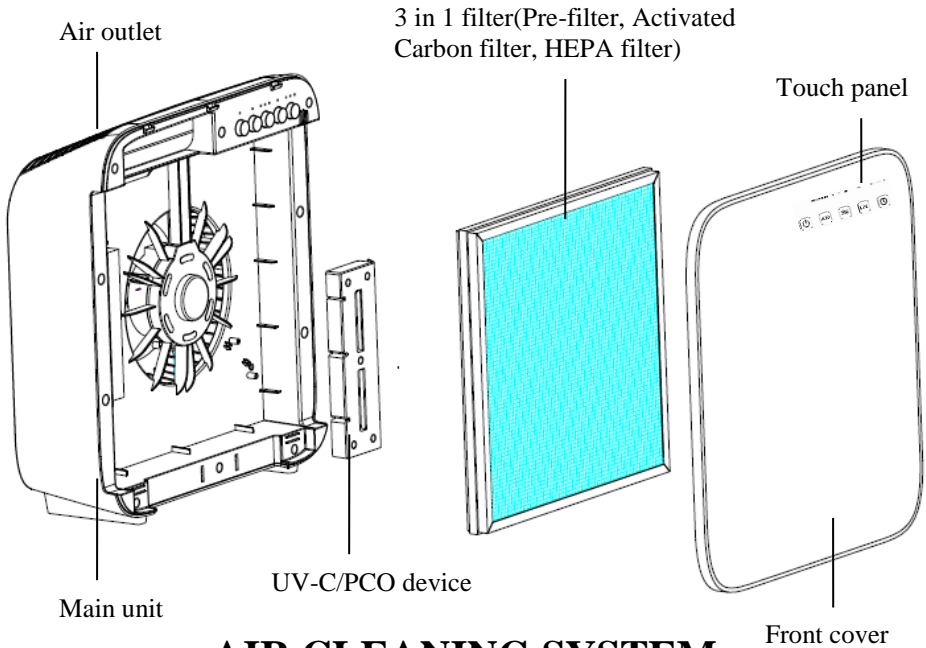
Lamp life: Approx. 20,000 hours

Weight: 4.5kgs

Dimensions: 390 (L) x 145(W) x 428(H) mm

Coverage Area: Approx. 20-40 m<sup>2</sup>

## PRODUCT STRUCTURE



## AIR CLEANING SYSTEM

Improve your indoor air quality with your new Air Cleaning System. Multiple levels of cleaning include a combination HEPA filter that captures allergens, and Activated Carbon filter to remove odours. UV-C light technology enhances germ-killing.

**PRE-FILTER:** Captures initial dust and allergen particles.

**ACTIVATED CARBON FILTER:**

Absorb formaldehyde, benzene and other noxious gas.

**HEPA FILTER:** Captures dust, smoke, pollen and other allergens.

**UV-C LIGHT:** Destroys micro-organisms such as germs, viruses, bacteria and fungi (such as mold toxins).

**PCO:** When photo-catalyst titanium dioxide (TiO<sub>2</sub>) absorbs Ultraviolet (UV) radiation, it will produce hydrogen gas and hydroxyl radical help remove VOCs, Odors and kill

the germs.

## OPERATING INSTRUCTIONS

### BEFORE OPERATING THE AIR PURIFIER:

1. Carefully remove your air purifier from box and plastic bag.

2. Select a firm, level and flat location for the air purifier.

\*For proper air flow, locate the unit at least 1 foot from any wall or furniture.

\*Make sure none of the grills are blocked.

3. Before using, remove the filters then remove and discard bags.

4. Plug the power cord into a right voltage AC outlet.

**IMPORTANT:** When moving the air purifier, always lift unit by the carrying handle located on back.

REPLACE FILTER I II III UV-C 2H 4H 8H



## OPERATING THE AIR PURIFIER



1. **“POWER”** BUTTON:

Press this button to turn on or switch off the unit.



2. **“REPLACE FILTER”** BUTTON:

When REPLACE FILTER light flickering, press and hold this button for 5 seconds to reset the filter change indicator.



3. **“SPEED”** BUTTON:

The fan speed of the unit can be adjusted when the unit is in operation (L/I M/II H/III). Each time that you press on the (SPEED) button, the speed is adjusted from L

(low) to M (medium) to H (high).



#### 4. “UV-C” BUTTON:

Press this button to turn on/off the UV lamp.



#### 5. “TIMER” BUTTON:

- 1) By pressing this button, the purifier can be timed to operate for intervals of 2 hours, 4 hours and 8 hours, stopping automatically when the selected operating time has elapsed.
- 2) Press this button (Timer) to select the required operating time. A warning light automatically indicates the remaining operating time.
- 3) To select the continuous operating mode, press the button repeatedly until there are no more indicator lights lit up.

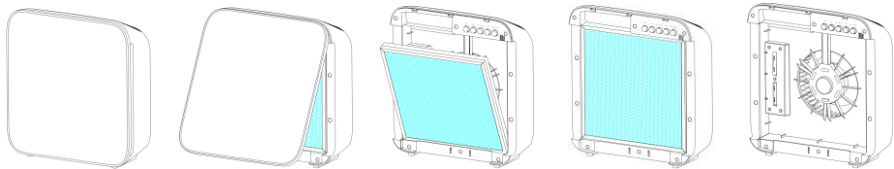
**Important note:** When the unit is not in use, switch it off and unplug it.

## INSTALLING & REMOVING FILTERS

### FILTER REPLACE INDICATOR

The REPLACE FILTER light will flicker continuously indicating that it is time to replace the filter. Replace the filter according to the directions then press the REPLACE FILTER button and hold for 5 seconds to restart the system. The light will stop flickering.

\*Combination Filter will last approximately 6 months.



1. Open the front cover from the bottom of the front cover.
2. Remove the combination filter by pull the two strips.
3. Insert new combination filter into the unit. Consult the strips on the filter for correct installation direction.

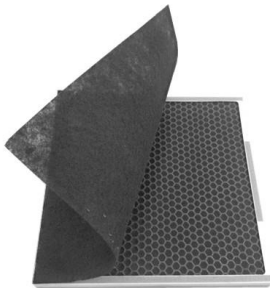
4. Reattach the extra Pre-filter to the combination filter.
5. Reattach the front cover of the unit and securely latch into place.
6. Press and hold REPLACE FILTER button for 5 seconds to reset Filter Change Indicator.

## CLEANING & MAINTAINING THE COMBINATION FILTER

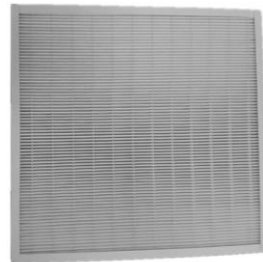
The air purifier should be cleaned at least once every month and the Pre-Filter should be cleaned every month. More frequent cleaning may be required depending on environmental conditions.

### FILTERS

Clean with the brush attachment of your vacuum cleaner. This will remove lint and dirt.



**Front (Pre-filter& Carbon filter)**



**Back (HEPA filter)**

### NOTE:

- Only the **Extra Pre-filter** is washable. And make sure the pre-filter is dry when fix back the pre-filter to the combination filter.
- The Combination Filter is one filter system. The multiple layers include: the Pre-filter, Activated Carbon Filter and HEPA Filter.

### MAINTENANCE CAUTION

Use a clean, dry, soft cloth to wipe the external surface of the unit.

**NOTE:** Do NOT stick any foreign objects or your fingers inside of the unit.

**CAUTION:** Do NOT use gasoline, benzene, thinner, harsh cleaners, etc. on and/or in-

the unit while cleaning as they will damage the product.  
NEVER use alcohol or other solvents.

## MINI TROUBLESHOOTING GUIDE

Before carrying out any of the following service checks, unplug the unit from the mains.

|                       |  |
|-----------------------|--|
| Insufficient air flow | Check that the filters are clean<br>Check for any obstructions in the air inlet and outlet   |
| Unit will not start   | Check the power supply and electric fuses.<br>Check that the Front Cover is latched firmly in place.<br>Check that the Filter is firmly in place.  |
| Excessive noise       | Check for any foreign objects in contact with the fan.<br>The filter may be clogged and ready for replacement.<br>The foam sealing gaskets have been installed incorrectly.<br>Uneven positioning. |
|                       |  |

**Warranty:** 2 year as from the date of purchase

To activate warranty coverage and get access to special promotions, please enter your information into the online product registration system: [www.kiyoair.com/register](http://www.kiyoair.com/register)

KIYOI Air Purifiers  
Exclusive Distributor:

**La Nature Co., Ltd.**  
235 Lasalle Road, Bangna,  
Bangna, Bangkok 10260 Thailand  
Mobile : 096-7367363  
Tel : 02-033-6200  
Fax : 02-033-6213